

LED Spot Light

LSHVA-SP30L-W

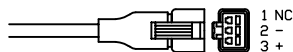
- * White LEDs
- * Only 36V USE

* Electric Power Consumption 10W

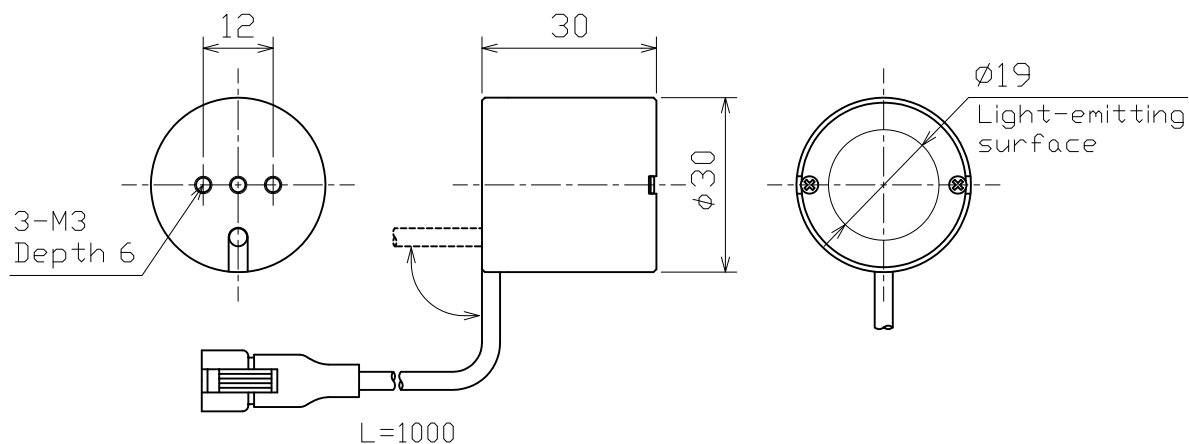
(Note) Please do not remove the tags attached to the product.
Light-emitting part during lighting, please do not look directly.

(注) 製品に取り付けられているタグは外さないでください
点灯中の発光部は、直視しないでください

Details of Connector



	Light	Power Supply
Connector	SMR-03V-B	SMP-03V-BC
Contact	BYM-001T-0.6	BHF-001T-0.8SS



RBOX-SGA

