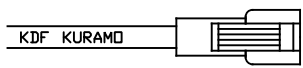
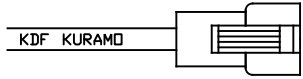


LPQC-99*_{X2} (DC12V) / LPQC-99*_{X2}HV (DC24V)

Details of Connector

		1 plus + (White/Black) 2 minus - (Black)	
	Light	Power Supply	
Connector	SMR-02V-B	SMP-02V-BC	
Contact	BYM-001T-0.6	BHF-001T-0.8SS	DC12V用

		1 plus + (White/Black) 2 NC 3 minus - (Black)	
	Light	Power Supply	
Connector	SMR-03V-B	SMP-03V-BC	
Contact	BYM-001T-0.6	BHF-001T-0.8SS	DC24V用

N Code	X1 Voltage	X2 Color	Electric Power Consumption
0	DC12V	W(White)	19W
1	DC24V	R(Red)	16.5W
2		B(Blue)	18W

(注)製品に取り付けられているタグは外さないで下さい

