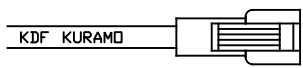
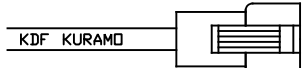


LPQC-51*2 (DC12V) / LPQC-51*2HV (DC24V)

Details of Connector

		1 plus + (White/Black) 2 minus - (Black)
	Light	Power Supply
Connector	SMR-02V-B	SMP-02V-BC
Contact	BYM-001T-0.6	BHF-001T-0.8SS
<u>DC12V用</u>		
		1 plus + (White/Black) 2 NC 3 minus - (Black)
	Light	Power Supply
Connector	SMR-03V-B	SMP-03V-BC
Contact	BYM-001T-0.6	BHF-001T-0.8SS
<u>DC24V用</u>		

N Code	X1 Voltage	X2 Color	Electric Power Consumption
0	DC12V	W(White)	6.8W
1	DC24V	R(Red)	6.5W
2		B(Blue)	6.8W

〈注〉製品に取り付けられているタグは外さないで下さい

