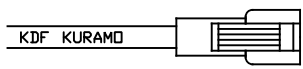
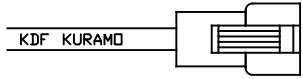


LPQC-35\*<sub>X2</sub> (DC12V) / LPQC-35\*<sub>X2</sub>HV (DC24V)

Details of Connector

		1 plus + (White/Black) 2 minus - (Black)
	Light	Power Supply
Connector	SMR-02V-B	SMP-02V-BC
Contact	BYM-001T-0.6	BHF-001T-0.8SS
DC12V用		

		1 plus + (White/Black) 2 NC 3 minus - (Black)
	Light	Power Supply
Connector	SMR-03V-B	SMP-03V-BC
Contact	BYM-001T-0.6	BHF-001T-0.8SS
DC24V用		

N Code	X1 Voltage	X2 Color	Electric Power Consumption
0	DC12V	W(White)	4.7W
1	DC24V	R(Red)	4.2W
2		B(Blue)	4.7W

〈注〉製品に取り付けられているタグは外さないで下さい

