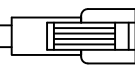



LED Ring Light

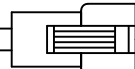

LMAR-130□-8ch (DC12V) / LMAR-130□HV-8ch (DC24V)
 X2 X2

Details of Connector

KVC-36 KURAMD   1 plus +
 2 minus -

	Light	Power Supply
Connector	SMR-02V-B	SMP-02V-BC
Contact	BYM-001T-0.6	BHF-001T-0.8SS

DC12V用

KVC-36 KURAMD   1 plus +
 2 NC
 3 minus -

	Light	Power Supply
Connector	SMR-03V-B	SMP-03V-BC
Contact	BYM-001T-0.6	BHF-001T-0.8SS

DC24V用

N Code	X1 Voltage	X2 Color	Electric Power Consumption
0	DC12V	W(White)	16W (2Wx8ch)
1	DC24V	R(Red)	14W (1.75Wx8ch)
2		B(Blue)	16W (2Wx8ch)

(注) 製品に取り付けられているタグは外さないで下さい

