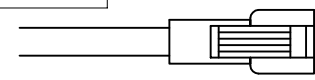
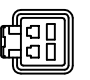
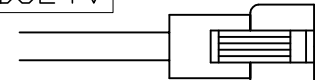

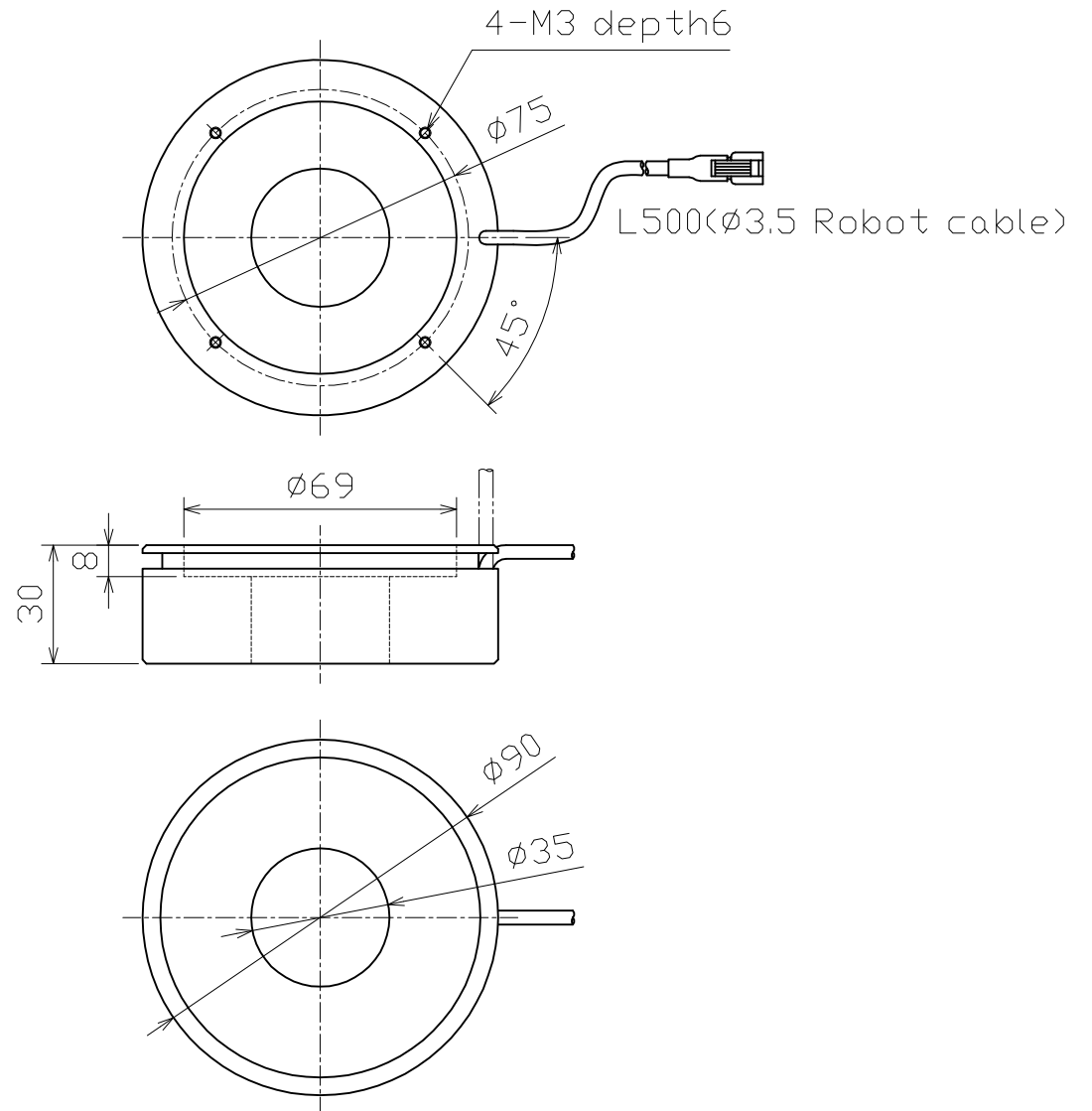


# LED Ring Light

LHR-LE90\*-\*<sub>X2 X3</sub>(DC12V)/LHR-LE90\*-\*<sub>X2 X3</sub>HV(DC24V)

Details of Connector \* Electric Power Consumption 10.5W

DC12V			
			
		1 plus + (White) 2 minus - (Blue)	
Connector	SMR-02V-B	Connector	SMR-03V-B
Contact	BYM-001T-0.6	Contact	BYM-001T-0.6
DC24V			
			
		1 plus + (White) 2 NC 3 minus - (Blue)	



N	X1 voltage	X2 Lens Type	X3 Color
1	DC12V	L(long)	W(white)
2	DC24V	S(short)	R(red)
3			G(green)
4			B(blue)
5			IR-850
6			UV-400
7			Y(Yellow)