

Surface Mount Back Light

LHMB-66/60□ [High-uniformity(高均一) model]

LHMB-66/60□-V [Narrow-angle(狭角配光) model]

* Electric Power Consumption 9W(White)
7.5W(Red)
8W(Blue)

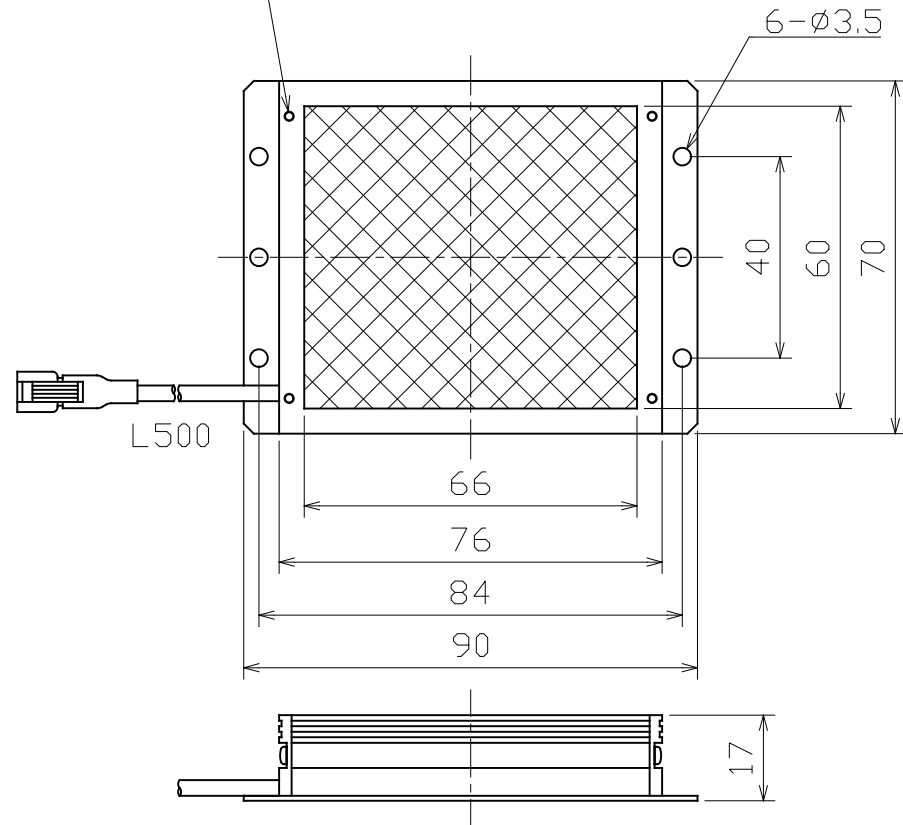
(Note) Please do not remove the tags attached to the product.
Light-emitting part during lighting, please do not look directly.

(注) 製品に取り付けられているタグは外さないでください
点灯中の発光部は、直視しないでください

4-M2 (For option)

DC12V model	DC24V model	
color □		n
White W	White WHV	0
Red R	Red RHV	1
Blue B	Blue BHV	2

	Input voltage	N
High-uniformity model	DC12V	2
	DC24V	3
Narrow-angle model	DC12V	4
	DC24V	5



Details of Connector

DC12V		DC24V	
Connector	SMR-02V-B	Connector	SMR-03V-B
Contact	BYM-001T-P0.6	Contact	BYM-001T-P0.6