

Surface Mount Back Light

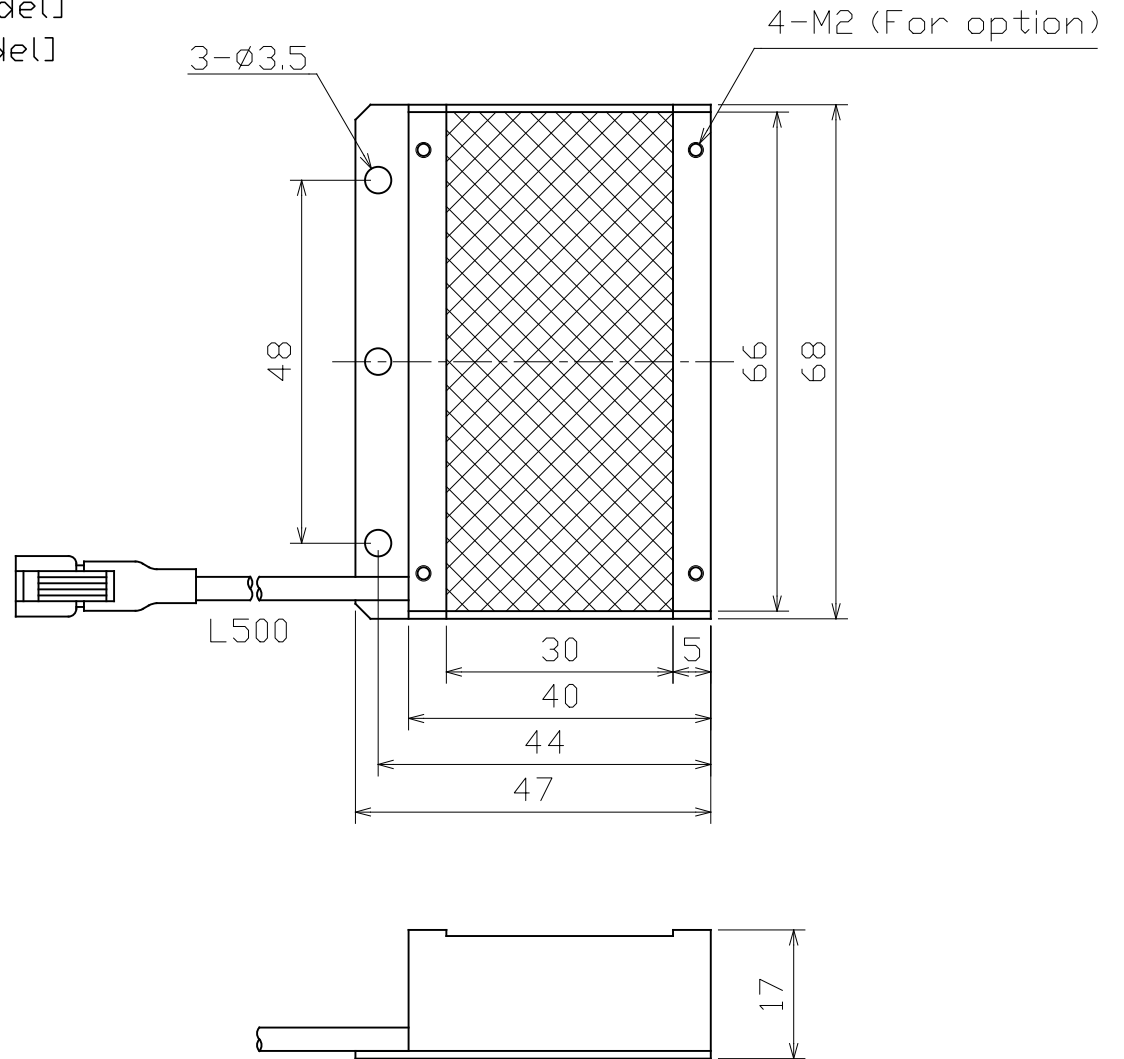
LHMB-30/66□ [High-uniformity(高均一) model]

LHMB-30/66□-V [Narrow-angle(狭角配光) model]

* Electric Power Consumption 5.5W(White)
4.5W(Red)
5W(Blue)

(Note) Please do not remove the tags attached to the product.
Light-emitting part during lighting, please do not look directly.

(注) 製品に取り付けられているタグは外さないでください
点灯中の発光部は、直視しないでください



DC12V model	DC24V model	
color □		n
White W	White WHV	0
Red R	Red RHV	1
Blue B	Blue BHV	2

	Input voltage	N
High-uniformity model	DC12V	2
	DC24V	3
Narrow-angle model	DC12V	4
	DC24V	5

Details of Connector

DC12V		DC24V	
	1 + 2 -		1 + 2 NC 3 -
Connector	SMR-02V-B	Connector	SMR-03V-B
Contact	BYM-001T-P0.6	Contact	BYM-001T-P0.6