

# LED Bar Light

LBE-SE □ □

X1 X2

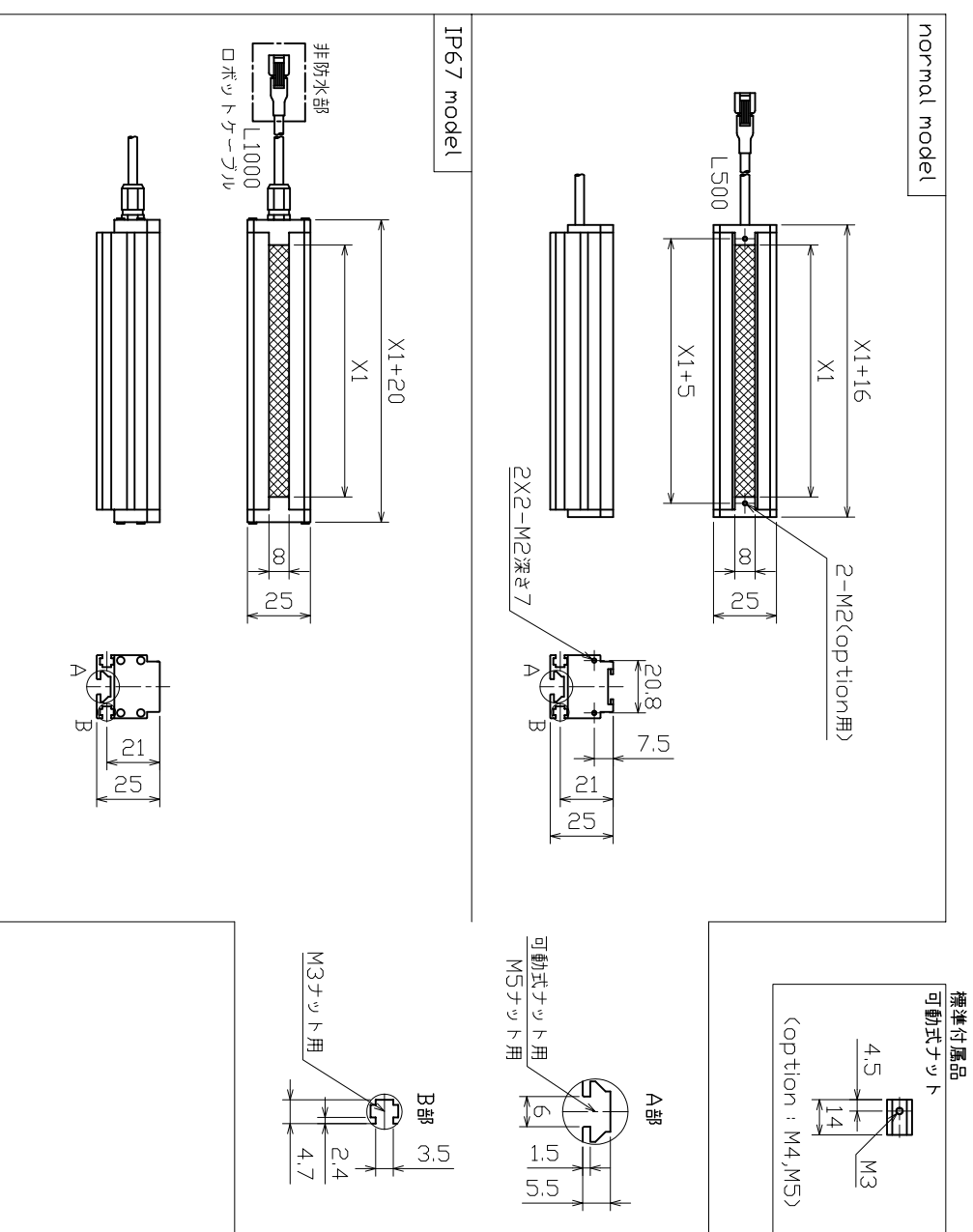
\* Electric Power Consumption (35xN)W

X1

〈注〉製品に取り付けられているワタは外さないで下さい

可動式ナット 付属数	DC12V Lineup		DC24V Lineup		X1 length	N
	0	0	0	0		
2	0	0	0	0	50	01
	0	0	0	0	100	02
	0	0	0	0	150	03
	0	0	0	0	200	04
	0	0	0	0	250	05
3	0	0	0	0	300	06
	0	0	0	0	350	07
	0	0	0	0	400	08
4	0	0	0	0	500	10
	0	0	0	0	600	12
	0	0	0	0	700	14
5	0	0	0	0	800	16

X2 for DC12V Color / protection model	X2 for DC24V Color / protection model	N
W(white/normal)	WHV(white/normal)	1
R(red/normal)	RHV(red/normal)	2
B(blue/normal)	BHV(blue/normal)	3
W-WP(white/IP67)	WHV-WP(white/IP67)	5
R-WP(red/IP67)	RHV-WP(red/IP67)	6
B-WP(blue/IP67)	BHV-WP(blue/IP67)	7



〈DC12V〉205-N N  
〈DC24V〉206-N N

X2 X1