

LED Square Light

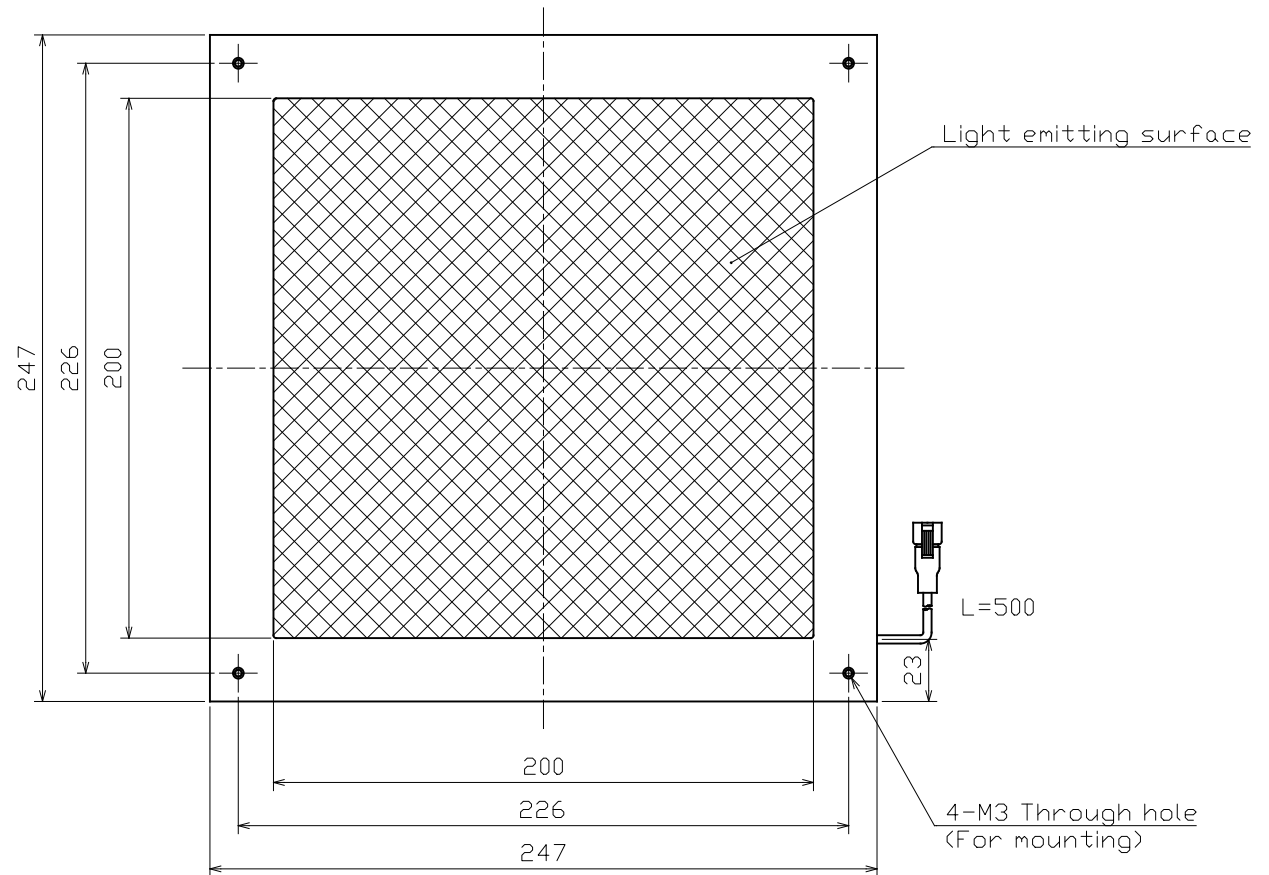
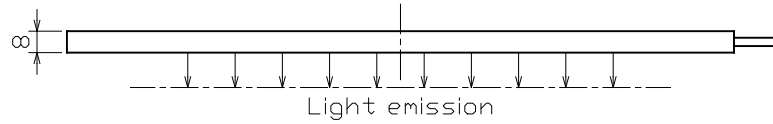
IFHA-200□HV

* Electric Power Consumption 33W (Red, White, Blue)
20.5W (Infrared)

(Note) Please do not remove the tags attached to the product.
Light-emitting part during lighting, please do not look directly.

(注) 製品に取り付けられているタグは外さないでください
点灯中の発光部は、直視しないでください

Color □	n	Input voltage	Electric power consumption
Red R	0	DC12V	30W
White W	1		
Blue B	2		
Infrared IR-850	3		20.5W
Red RHV	4	DC24V	33W
White WHV	5		
Blue BHV	6		
Infrared IR-850HV	7		20.5W

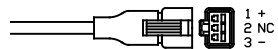


Details of Connector (for DC12V in)



	Light	Power Supply
Connector	SMR-02V-B	SMP-02V-BC
Contact	BYM-001T-P0.6	BHF-001T-0.8SS

Details of Connector (for DC24V in)



	Light	Power Supply
Connector	SMR-03V-B	SMP-03V-BC
Contact	BYM-001T-P0.6	BHF-001T-0.8SS