

LED Square Light

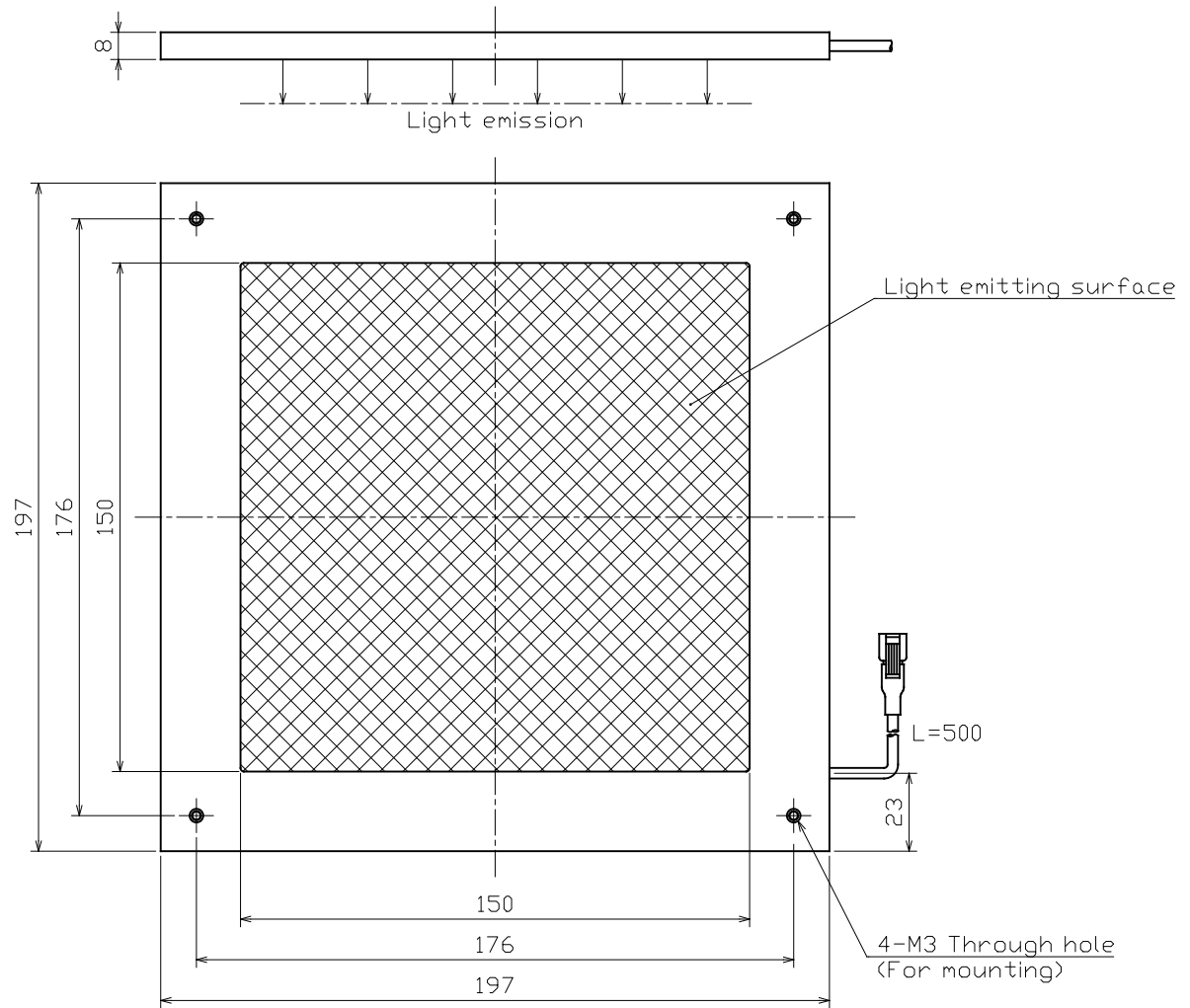
IFHA-150□

* Electric Power Consumption 30W (Red, White, Blue)
17W (Infrared)

(Note) Please do not remove the tags attached to the product.
Light-emitting part during lighting, please do not look directly.

(注) 製品に取り付けられているタグは外さないでください。
点灯中の発光部は、直視しないでください。

| color □ | n | Input voltage |
|-------------------|---|---------------|
| Red R | 0 | DC12V |
| White W | 1 | |
| Blue B | 2 | |
| Infrared IR-850 | 3 | DC24V |
| Red RHV | 4 | |
| White WHV | 5 | |
| Blue BHV | 6 | |
| Infrared IR-850HV | 7 | |

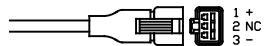


Details of Connector (for DC12V in)



| | Light | Power Supply |
|-----------|---------------|----------------|
| Connector | SMR-02V-B | SMP-02V-BC |
| Contact | BYM-001T-P0.6 | BHF-001T-0.8SS |

Details of Connector (for DC24V in)



| | Light | Power Supply |
|-----------|---------------|----------------|
| Connector | SMR-03V-B | SMP-03V-BC |
| Contact | BYM-001T-P0.6 | BHF-001T-0.8SS |