

LED Square Light

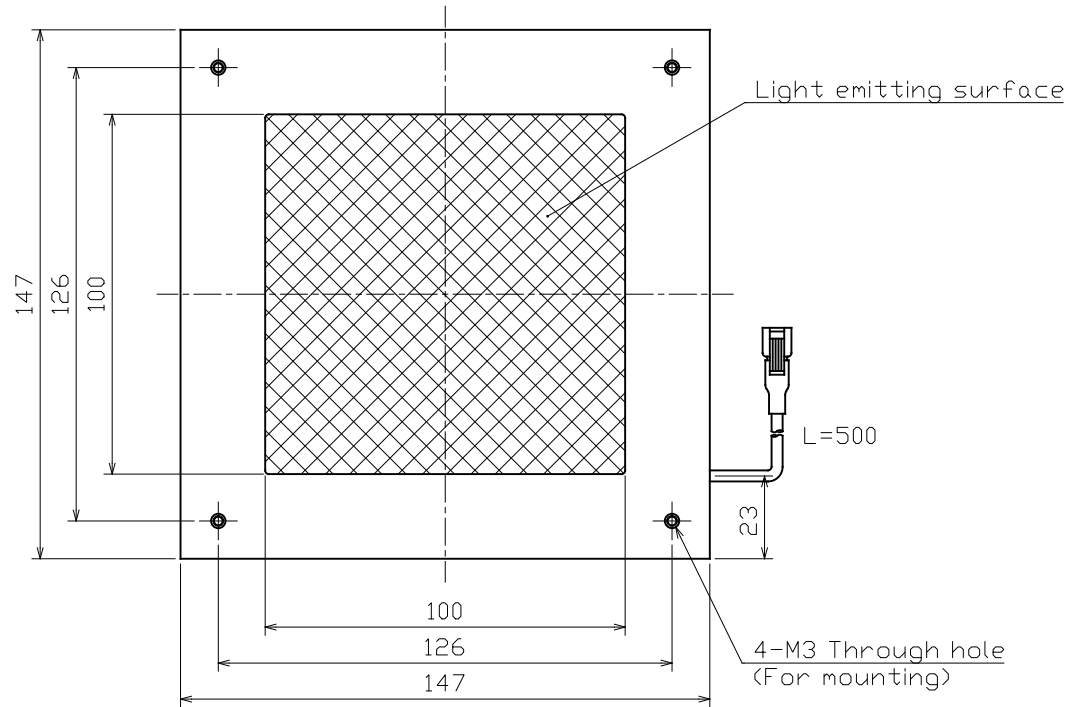
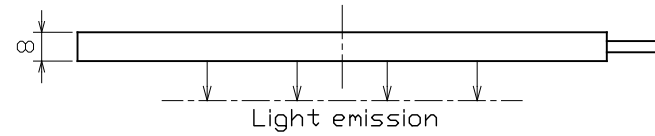
IFHA-100□

* Electric Power Consumption 22W (Red, White, Blue)
12.5W (Infrared)

(Note) Please do not remove the tags attached to the product.
Light-emitting part during lighting, please do not look directly.

(注) 製品に取り付けられているタグは外さないでください。
点灯中の発光部は、直視しないでください。

color □	n	Input voltage
Red R	0	DC12V
White W	1	
Blue B	2	
Infrared IR-850	3	DC24V
Red RHV	4	
White WHV	5	
Blue BHV	6	
Infrared IR-850HV	7	



Details of Connector (for DC12V in)



	Light	Power Supply
Connector	SMR-02V-B	SMP-02V-BC
Contact	BYM-001T-P0.6	BHF-001T-0.8SS

Details of Connector (for DC24V in)



	Light	Power Supply
Connector	SMR-03V-B	SMP-03V-BC
Contact	BYM-001T-P0.6	BHF-001T-0.8SS